

Vapir One Available at Vape World

V
VAPIR®

one™
USER'S GUIDE V5.0





Important Instructions

IMPORTANT OPERATING INSTRUCTIONS FOR VAPIR ONE VAPORIZER™ SUPERCHARGED FAN MODELS

**DUE TO HIGH AIR PRESSURE, TEMPERATURES MAY FLUCTUATE SEVERAL DEGREES
CAUSING THE GREEN LIGHT TO FLICKER BETWEEN RED AND GREEN. THIS IS NORMAL.**

It is imperative that you place your Vaporizer's fan setting on the HIGH or H position when starting it up. Failure to do this may cause damage to your Vaporizer that is not covered under warranty. This vaporizer has 3 Fan speed settings: L for LOW, M for MEDIUM and H for HIGH. The unit should always be started on H for HIGH so that it can properly achieve the speed it requires. The unit might not operate properly if it is not started on the HIGH position. If the unit is heated without the fan on, it could possibly overheat and cause damage to the unit that is not covered by the warranty. In the event that this occurs, immediately turn it off and restart on HIGH.

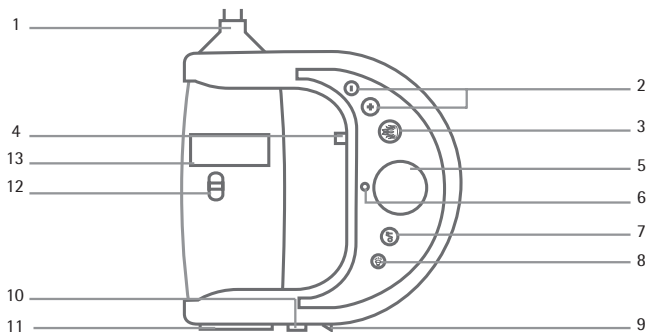
If your fan ever turns off or you notice it is not on, immediately turn the unit to the off position, adjust the fan speed to H (HIGH position), and turn the unit on with the heat off (heat is the large button with a flame on it). Do this for 5 minutes. It should cool your device for usage.

Never unplug or turn your unit off until it has had sufficient time to cool down. Always leave the fan running without heat for a minimum of 5 minutes after each use.

As a safety precaution, your unit is equipped with an internal safety switch. This switch will disable your unit should it ever overheat. If your unit malfunctions or stops heating, leave the fan on H (High position) for 20 minutes to cool the unit down. Then, turn your unit off. At this time, it is safe to either restart the unit or unplug it and store.

Always unplug the unit from the electrical outlet before cleaning. Always make sure your unit is completely dry before turning it on. Do not attempt any repairs to your unit as doing so may cause fatal injury or void your warranty.

Identifying the Parts



1. Vapor Outlet Valve

2. Accurate Digital Temperature Control

Press + to increase temperature. Press - to decrease temperature. Maximum temperature is 400 °F (204 °C).

3. Push-Button Heat Control

Turns heat On or Off.

4. Fan Speed Switch

Adjusts speed of fan.

5. LCD Screen

Displays data. Screen toggles between set temperature and current temperature.

6. Red/Green Ready Light.

When light is red, it indicates that heating is activated and the unit is attempting to reach the temperature that you set. When light is green, the set temperature has been reached. It is normal, once the set temperature has

been reached, for the light to toggle between red and green as it attempts to regulate the temperature.

7. Celsius/Fahrenheit Button

Adjusts display to Celsius or Fahrenheit.

8. Tone On/Off Button

Turns Tone On or Off.

9. Power Switch

Turns unit On or Off.

10. AC Power

Insert power cable here.

11. Air Intake Valves

Allows for proper internal ventilation of your Vapir ONE Vaporizer. Never cover these holes.

12. Eject Switch for Herb Disk Drive

Ejects herb disk drive.

13. Herb Disk Drive

Insert herb disk here after ejecting drive.

Instructions For Use

First turn the fan setting to the High (H) position, then turn the unit on by pressing the on switch to the On position. Once you hear the fan has engaged and is up to speed, you can immediately turn the fan to the Low (L) position and begin using.

**Make sure the fan is on low when heating up your Vapir ONE.*

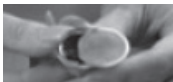
It's as easy as 1-2-3



HELPFUL HINT: FILLING THE HERB DISK

Whenever possible, grind herbs before filling disk. This will allow your materials to be heated more evenly.

Loosely fill the finely ground herbs because over packing it can cause overheating.



1. Pre-heat unit by setting the temperature (+/-) and pressing the Heat button.

2. Fill Herb Disk.



3. When Ready light turns from red to green, insert disk into drive. Insert drive into unit. Begin inhaling aroma and flavor immediately. Enjoy.



IMPORTANT: In order to prevent burning your herbs, the herb drawer should be removed every time PRIOR to turning the fan speed up. Once fan speed has been changed and is up to proper running speed you can insert the herb drawer and immediately being vaporizing

Removing the herb disk after use



1. Eject the Herb Disk Drive by pressing release switch and pulling out the drawer.



2. Use the supplied plastic tweezers to carefully remove the hot herb disk. Never touch the disk right after use! **OR...**



3. Remove the drawer from the Vapir ONE unit. Without touching the hot disk, shake the drawer and allow the disk to fall into a metal or ceramic bowl.



Herb Tube Attachment

For best taste, we recommend following the procedure below to eliminate any plastic tastes:

1. Soak tube in warm-hot (not boiling!) water for 30 minutes. Tip: Add essential oils to water for better taste. Essential Oils are available for purchase at Vapir.com



2. Remove cap by twisting top portion of unit and flipping cap over.



3. Insert warm tube through back of cap.



4. Use clean pliers to pull tube through cap.

Tube attachment is for flavor delivery purposes. Never put your mouth to outlet valve. It may be hot. Always either use a tube or taste flavor from a distance of several inches without touching the outlet valve.



Quick Tips:

- Insert tube before use.
- Grind herbs in either our Element, Max or Maxine Herb Grinders (sold separately) or in a coffee grinder.
- Preheat Vapir ONE unit to 250°F with the drawer out. Wait for light to turn green, then insert the disk drive. If you are not getting enough flavor turn the temperature up. If you are getting smoke, turn the temperature down.
- Inhale the flavor immediately upon insertion.
- When inhaling, breathe deeply. Hold the vapor in. Repeat for 10 -15 minutes.
- Remember, visible vapors will not always be present.





• **LEAVE FAN ON WITH THE HEAT OFF FOR 2-5 MINUTES AFTER USE. THIS WILL COOL THE UNIT AND PREVENT DAMAGE CAUSED BY HEAT. NEVER STORE A HOT UNIT.**

- This unit and many of its components get very hot! Read all directions and heed all cautions carefully before using this device. Serious injury may result from improper operation.
 - Optional tube attachment is for flavor delivery purposes. Never put your mouth to outlet valve. It may be hot. Always either use a tube or taste flavor from a distance of several inches without touching the outlet valve.
 - Never cover air intake valves. This may cause the unit to overheat and malfunction.
 - This unit has a preset safety time of 10 minutes. After 10 minutes of operation, the unit will turn off to avoid overheating and to prevent any accidental damage to the unit by leaving it on inadvertently. After 10 minutes, you can manually reset the unit for up to another 10 minutes.
 - Visible vapor will not always be present. Vapor is very different from smoke. Even in the absence of visible vapor, the unit is still emitting potent vapors. The vapor emitted after you first insert your drive is some of the most flavorful and most beneficial vapor in your entire session, regardless of the fact that it may be mostly invisible.
 - The Vapir ONE Vaporizer comes in both 110v and 220v versions. Check rating label before use to make sure it matches your country's voltage.
 - To avoid wasting any vapor: make sure to eject the herb drawer when not inhaling.
- 
- 

WARRANTY

You must register your product by mail within 15 days of purchase for warranty to be valid (except where prohibited by law*). Warranty covers defects in materials and workmanship which occur with normal use of the device and when device has been purchased from an authorized retailer. Warranty is valid no more than 90 days from the purchase date or as required by law. For complete warranty information, visit www.vapir.com

**Some states do not allow the exclusion or limitation of incidental or consequential damages or limitations based on the duration of an implied warranty. The limitations and exclusions written above may not apply to you. This warranty gives you specific legal rights, and you may have additional rights based on your state law. Other restrictions may apply.*

For more information, helpful tips and hints, and frequently asked questions please visit www.vapir.com



Instructions For Balloon Inflation Kit

Cut the tube to a length of 3-4 inches for best results when using with the balloon.

This Vapir ONE is equipped with a new supercharged heater. Changing the fan speed may or may not noticeably affect the temperature. It is not necessary to heat up your unit to the maximum temperature to inflate balloons. Please use a moderate temperature between 170°C/300°F and 176°C/350°F when preheating your unit. Using a higher temperature may cause burning of your herbs.

H= HIGH M= MEDIUM L= LOW

Due to the high speed of the airflow the temperature will drop rapidly when the fan is switched to the H position.

For effective balloon inflation:

1. Set the fan in the L position and set your desired temperature.
2. When the actual temperature reaches the set temperature, attach the balloon and insert your 1/2 filled herb disk into the drawer.
3. Wait about 10 - 15 seconds then set the fan to the M or H position. The balloon will start to inflate. When using the M fan position to inflate a balloon you will get denser vapor but the balloon will fill up slower. When using the H fan position to inflate a balloon you will get a less dense vapor but the balloon will fill up more quickly.
4. When balloon stops expanding, detach the balloon and inhale. Also turn the fan back down to L to allow the Vaporizer to heat back up to desired temperature.
5. While inhaling remove the herb drawer so you do not waste any vapor. When you are finished inhaling the previously filled balloon, repeat steps 2 - 4.

NOTE

- The quantity of balloons you inflate with vapor from one filled disk will depend on many factors, including the condition of your herbs.
- Most vapors are invisible or slightly grey. You should always taste the flavor of your herbs and you may see some slight grey vapor.



Digital Element Herb Grinders



Jaguar Herb Disks



10 Pack of Re-Useable Empty Herb Disks



Maxine Gourmet Herb Grinder + Re-chargeable Battery



Car Charger/Power Inverter



Inflation Kit - 10 Balloons, 10 X-tip Mouthpieces, 5 Matrix



Max Gourmet Herb Grinder



5 Pack Of Water Tools



10 Pack Of Re-useable Empty Herb Disks



5 Pack of Matrix Tube Attachments



Spa Mask



10 Pack Of X-tip Mouthpieces



Digital Spa

All Products Made By Vapir, Inc.

Vapir One Available at Vape World

INFORMATION ON COMMON PLANTS USED FOR VAPORIZATION

Herb/plant	Part of the Plant Used For Vaporization	Desired Temperature
Chamomile	blossoms	265 °F (129 °C)
Eucalyptus	leaves	310 °F (155 °C)
Hops	cones	375 °F (191 °C)
Lemon Balm	leaves	265 °F (129 °C)
Lavender	blossoms	290 °F (144 °C)
Sage	leaves	375 °F (191 °C)
Thyme	herb	375 °F (191 °C)
Tobacco	leaves	375 °F (191 °C)

90 DAY LIMITED WARRANTY

Vapir ONE Vaporizer

Phone: 800.841.1022

Website: www.vapir.com

Email: customerservice@air-2.com

This warranty covers failures due to defects in materials and workmanship for a complete period of 90 days or as provided by law. Please go to www.vapir.com/warranty to register your warranty and for more warranty details. Registration of your 90 Day Limited Warranty must be completed within 15 days from the date of purchase.

Vapir One Available at Vape World



INHALE THE FUTURE!

VAPIR, INC. ALL RIGHTS RESERVED

Vapir, Inc.

www.vapir.com

Toll Free: + 1 800 841 1022